

# Data Sheet

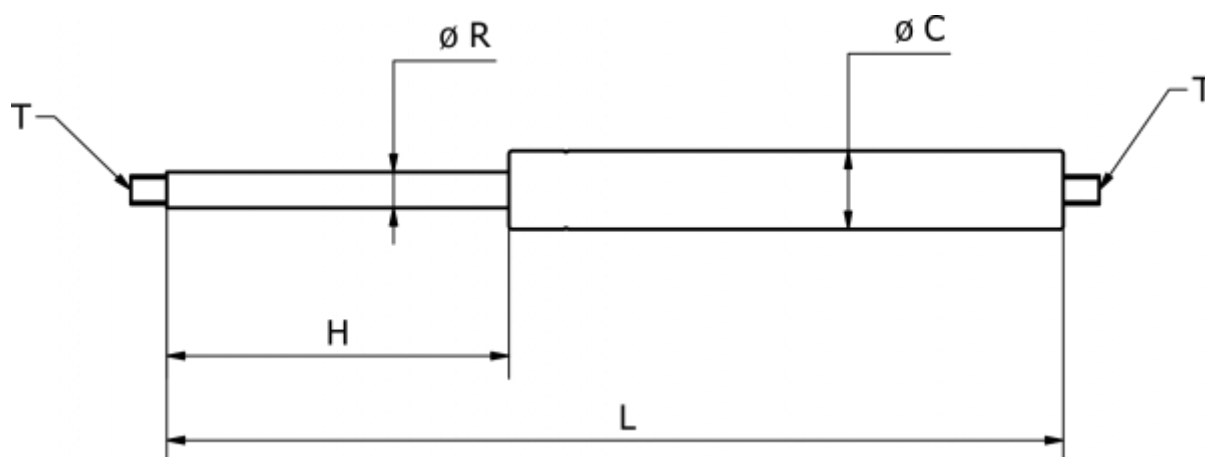


Article number: 04H102301500250V2

Description: Stabilus IndustryLine stainless steel gas spring size 10/23  
250N length 345mm, stroke 150mm Type 04H1023250

## Measures

---



C = 23

H = 150

L = 345

R = 10

T = M8 x 10